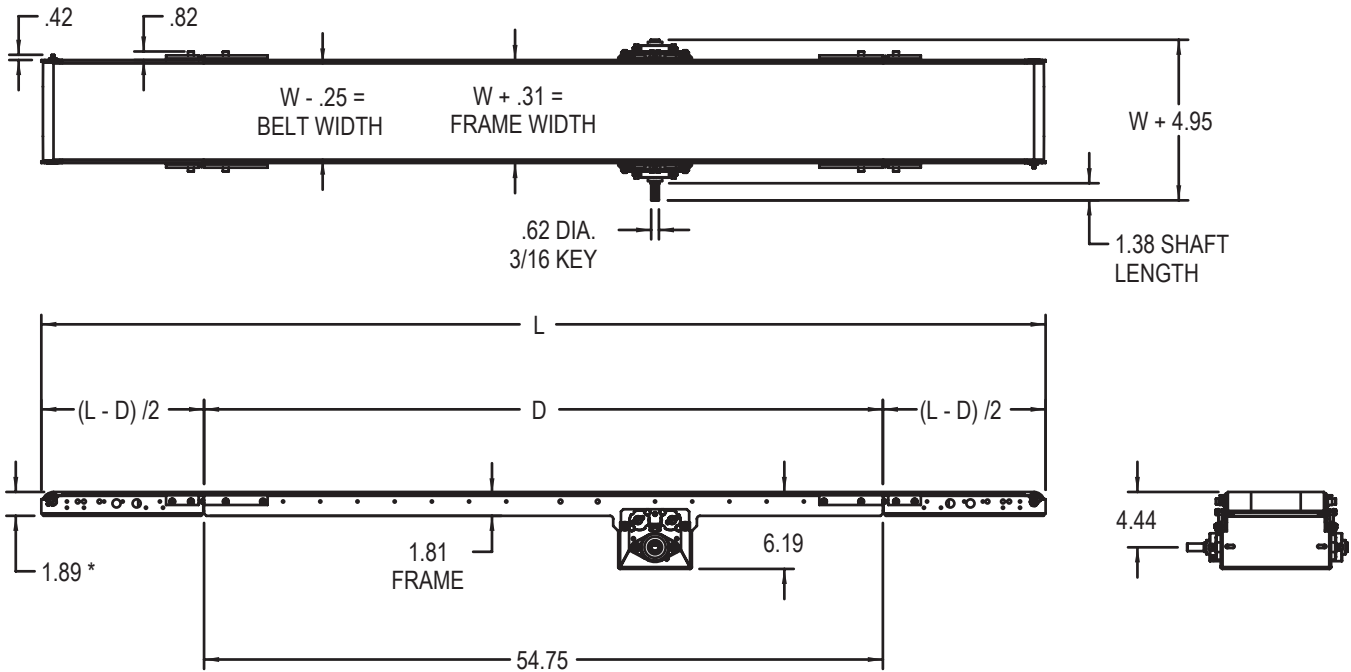


250 Series Center Drive Worksheet



LOAD

Description _____

Part Weight _____

Total Load _____

BELT

Belt Type _____

OPERATION

Starts/Stops _____

Shifts/Hours _____

Accumulation _____

Incline/Decline _____

MOTOR

Belt Speed _____

Location (A or B) _____

Voltage _____

CONVEYOR

Width _____

Length _____

TOB Infeed Height _____

TOB Discharge Height _____

RAILS

Type of Rails _____

STANDS

Stand Height _____